

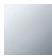


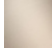


**CL.1 Bath spout without diverter for deck mounting - Chrome**

CL.1

13 612 705



- 200mm projection
- rectangular spray pattern with 55 individual jets
- height of mixer 125 mm
- height up to aerator 108 mm
- hole diameter 35 mm
- 1/2" connection
- max. flow 24.6 l/min at 3 bar flow pressure

	Chrome	13 612 705-00
	Brushed Platinum	13 612 705-06
	Dark Chrome	13 612 705-19
	Brushed Champagne (22kt Gold)	13 612 705-46
	Champagne (22kt Gold)	13 612 705-47
	Brushed Dark Platinum	13 612 705-99

**Required miscellaneous**

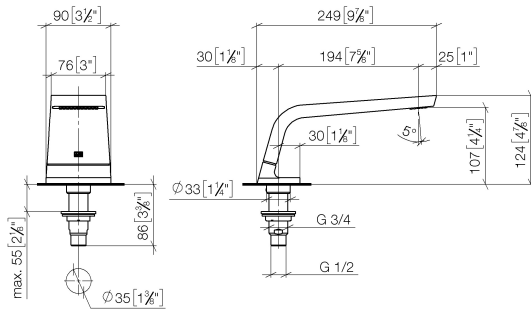


**Hose set -**

12 509 970-90  
0010

13 612 705

mm [inches]



**Flow rate chart**



**Codes & Standards**

ASME  
A112.18.1/CSA  
B125.1



## CL.1 Bath spout without diverter for deck mounting - Chrome

---

CL.1

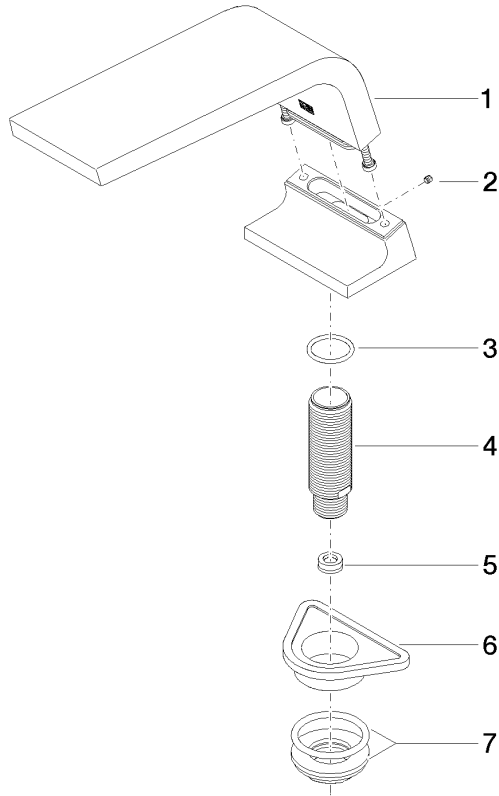
13 612 705

### Certificates

---

WRAS\_1512010.      LGA\_28684.      IAPMO\_4976 (6).

13 612 705



Spare parts list

No.	Item Number	Name	Quantity used	Delivery time
1	90 11 70 007 00-00	spout	1	10
2	09 31 11 099 90	pin	1	2
3	09 14 10 009 90	seal	1	2
4	09 30 01 117 90	connection	1	2
5	09 23 01 057 90	flow reducer	1	2
6	09 18 40 090 90	sleeve	1	2
7	04 23 10 004 03 90	fixing set	1	2